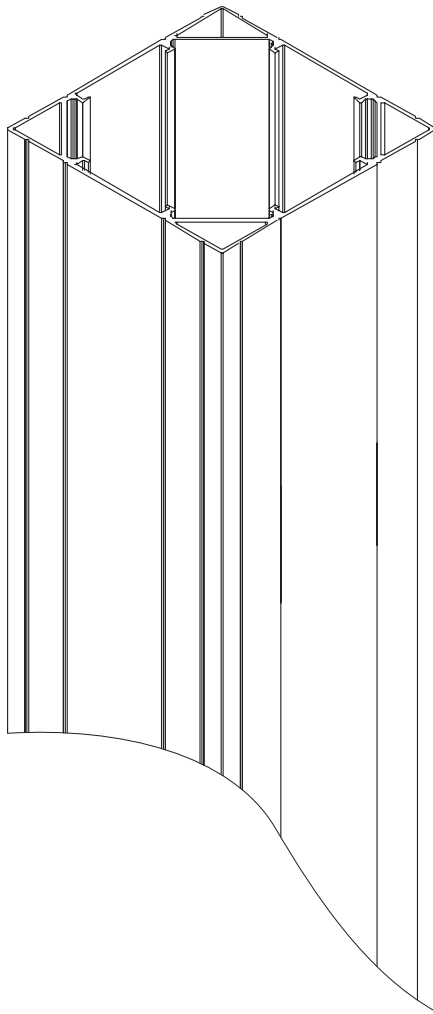


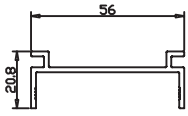
# T10 Fullheight Partition Guiding Book



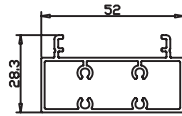
# Clover

# T10

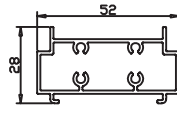
## Aluminum profiles list



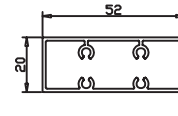
A pole  
3908#  
0.52kg/m



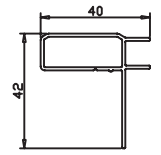
top bar  
3915#  
0.70kg/m



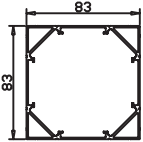
bottom bar  
3917#  
0.69kg/m



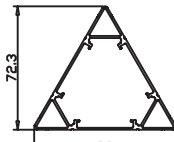
connection bar  
3918#  
0.62kg/m



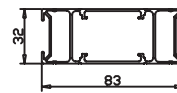
glass groove  
3959#  
0.34kg/m



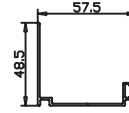
column  
3910#  
1.85kg/m



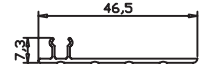
120° pole  
3912#  
1.24kg/m



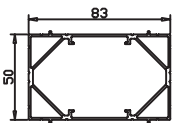
thin-wide pole  
3914#  
1.19kg/m



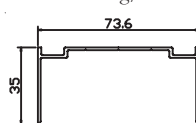
bottom groove  
3968#  
0.46kg/m



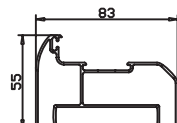
bottom seal  
3969#  
0.18kg/m



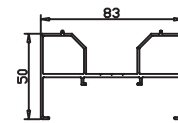
door pole  
3970#  
1.47kg/m



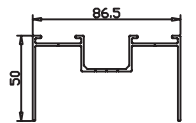
top groove  
4043#  
0.51kg/m



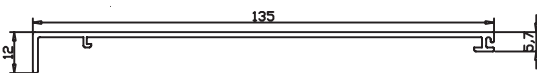
door frame  
3972#  
1.11kg/m



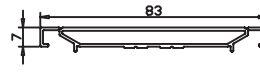
side pole  
3973#  
1.17kg/m



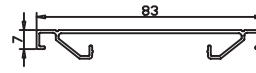
side groove  
3974#  
1.01kg/m



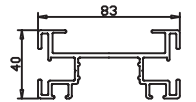
cable channel  
3907#  
0.66kg/m



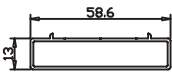
side cover  
3911#  
0.56kg/m



top cover  
3909#  
0.44kg/m



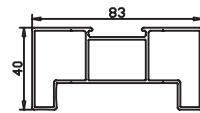
top bar  
3975#  
1.70kg/m



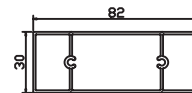
enhanced pole  
4005#  
0.48kg/m



hinge  
4002#  
0.65kg/m



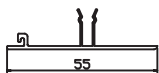
full glass frame(V)  
4009#  
1.20kg/m



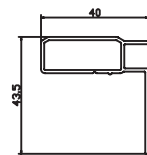
full glass frame(H)  
4010#  
1.00kg/m



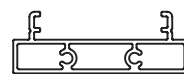
top sealing connector  
4041#  
0.55kg/m



top sealing  
4042#  
0.27kg/m

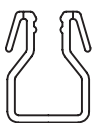


glass groove  
3992#  
0.35kg/m



added-on top bar  
4205#  
0.59kg/m

## Plastic profiles list



mid sealing  
H116

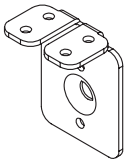


side sealing  
Pv54



cable channel seal  
U119-25

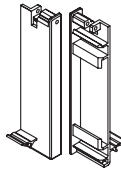
## Other components



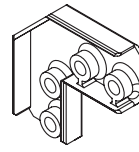
single foot



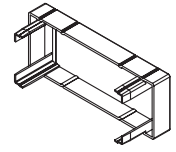
tile hook(L/R)



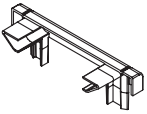
cable channel side cap  
(L/R)



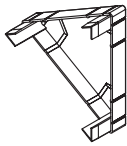
glass groove  
connector



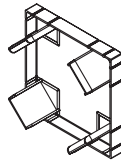
thin-wide cap



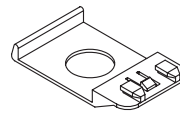
side top cap



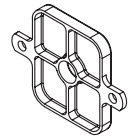
120° cap



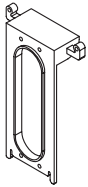
square cap



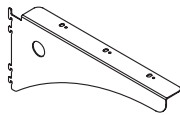
connection positioner  
for A pole



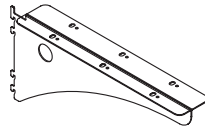
connection position  
for column



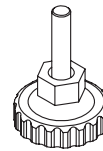
cable channel  
connector



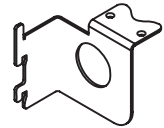
big bracket(L/R)



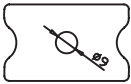
double side bracket



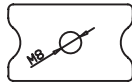
adjustor (M8)



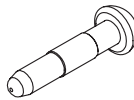
small bracket  
(L/R)



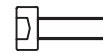
panel connector F



panel connector M



dowel pin



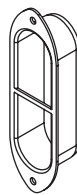
M8\*20 bolt corner connection  
M8\*30 bolt 180 degree connection  
M8\*40 bolt side pole connection  
M8\*60 bolt side pole vertical  
adjustment



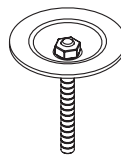
M4\*80 chipboard screw  
M4\*30 chipboard screw  
M4\*20 chipboard screw



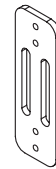
hinge



wire guard

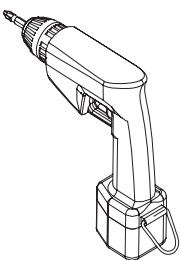


ceiling adjustor

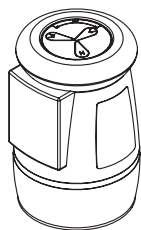


added-on connector

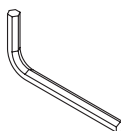
## Toolings list



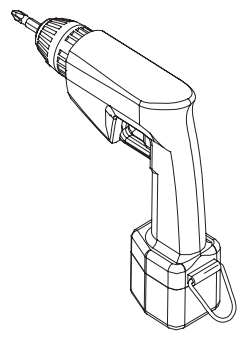
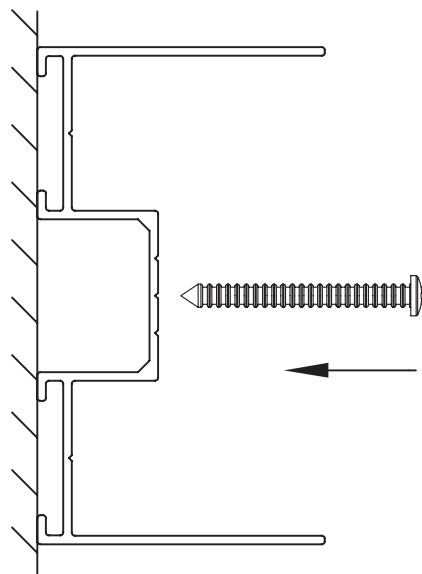
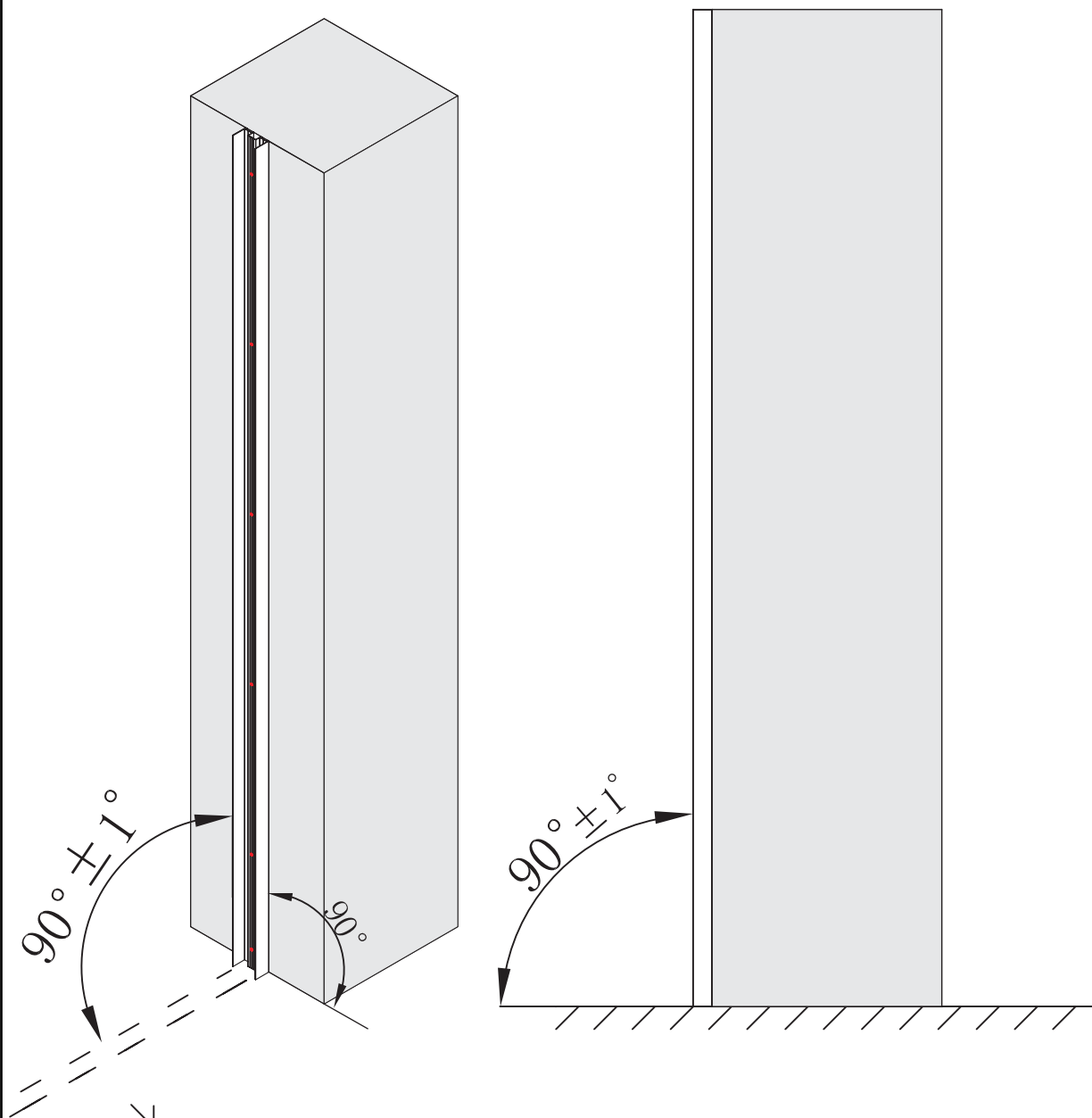
electric screw driver



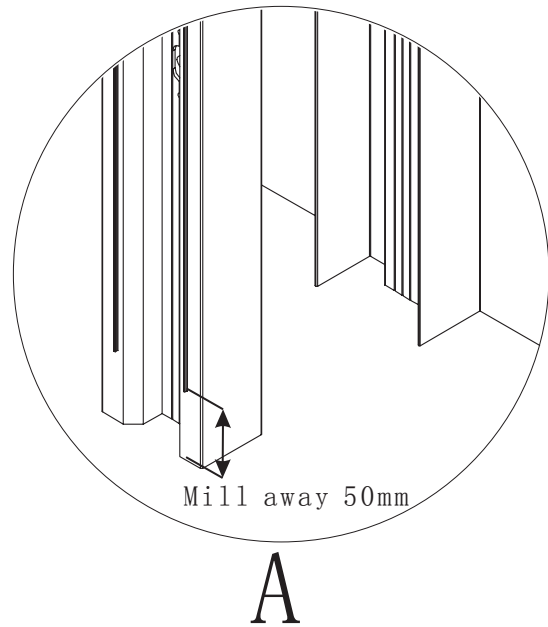
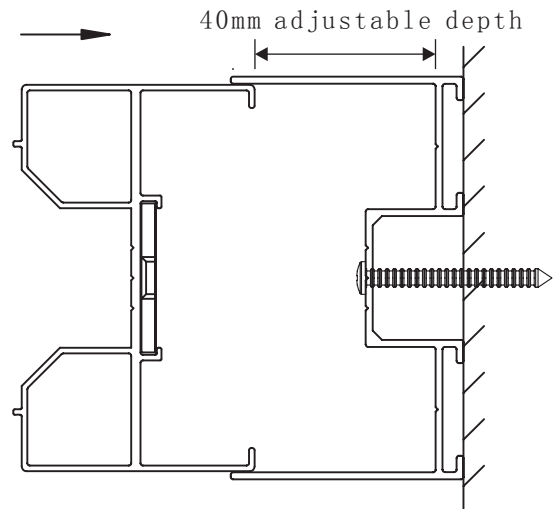
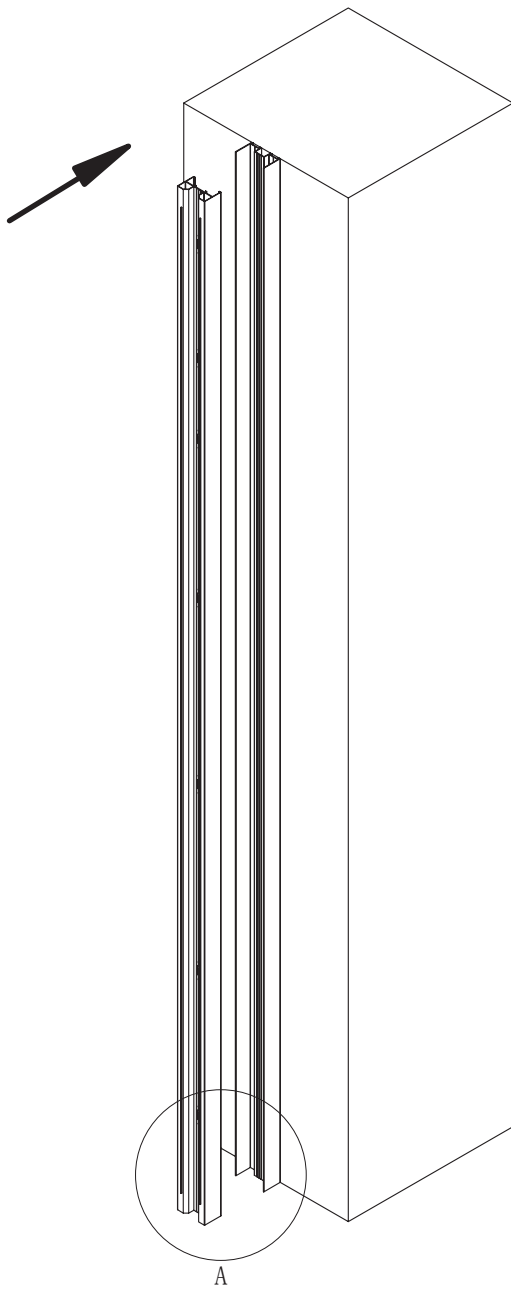
gradienter



allen key

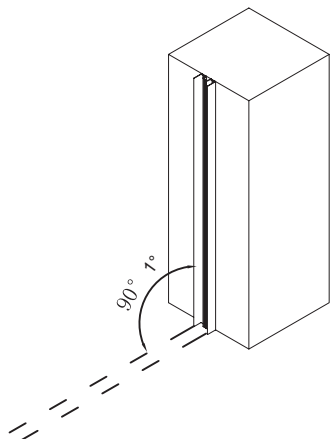
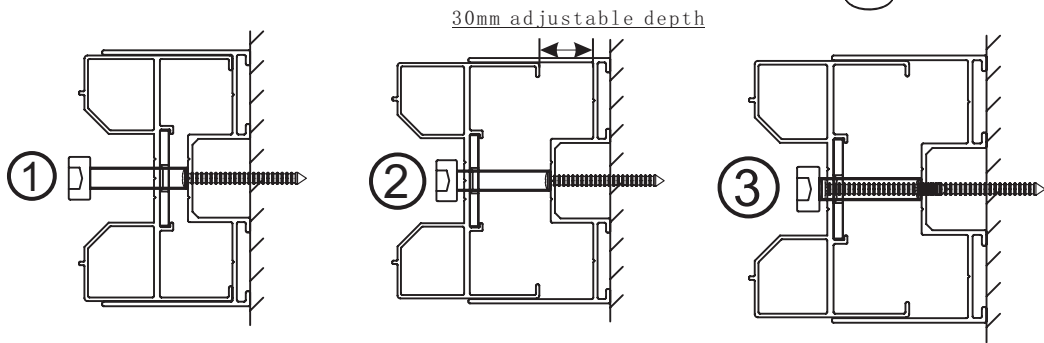
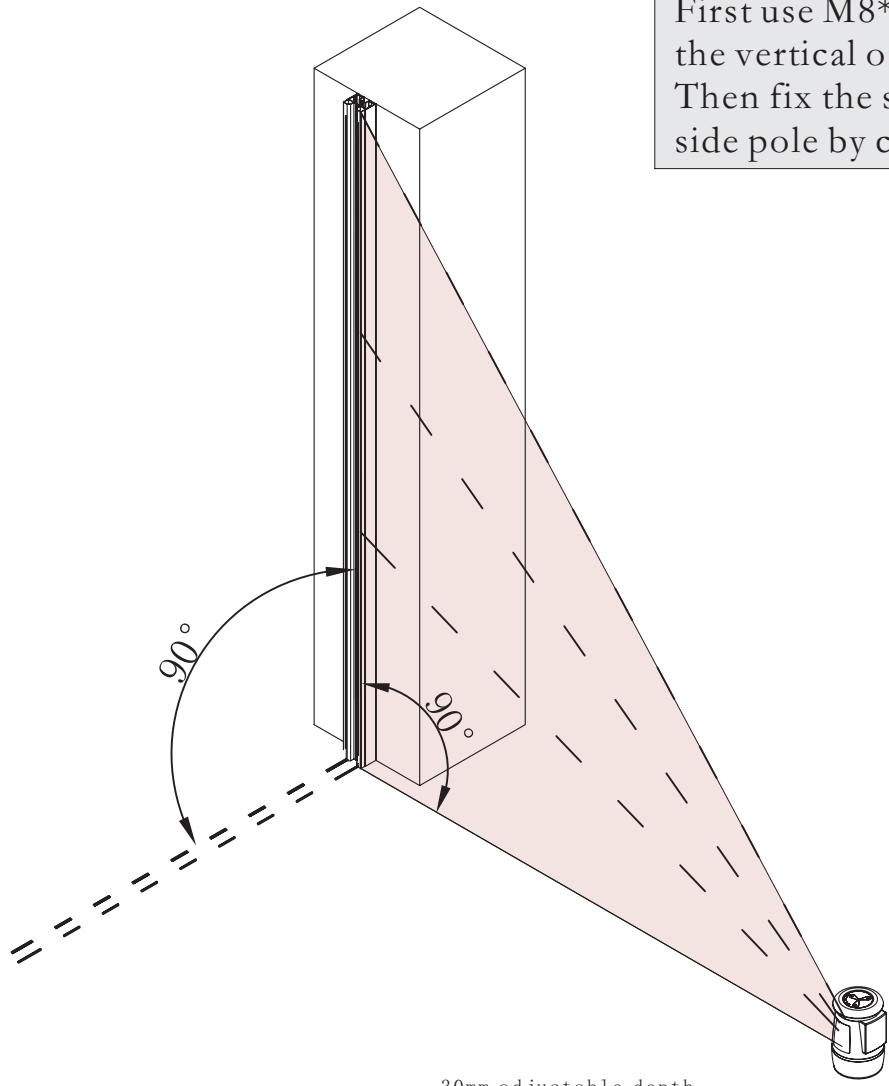


Fix the side groove into wall

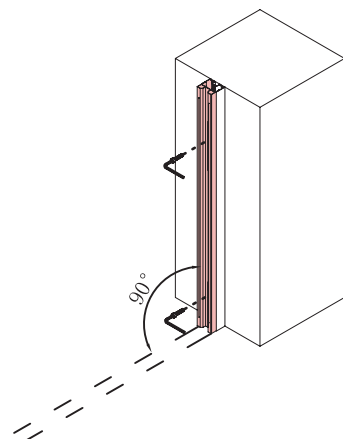


Insert the side pole to side groove.  
Side pole is processed as photo  
and fixed with panel connectors.

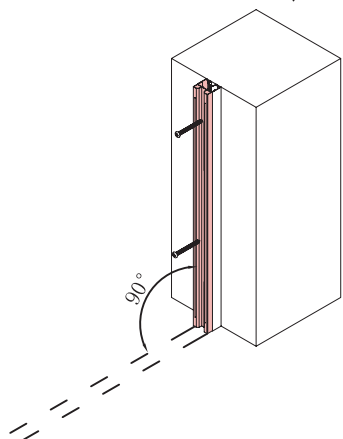
First use M8\*45 bolt to adjust the vertical of side pole. Then fix the side groove and side pole by chipboard screw



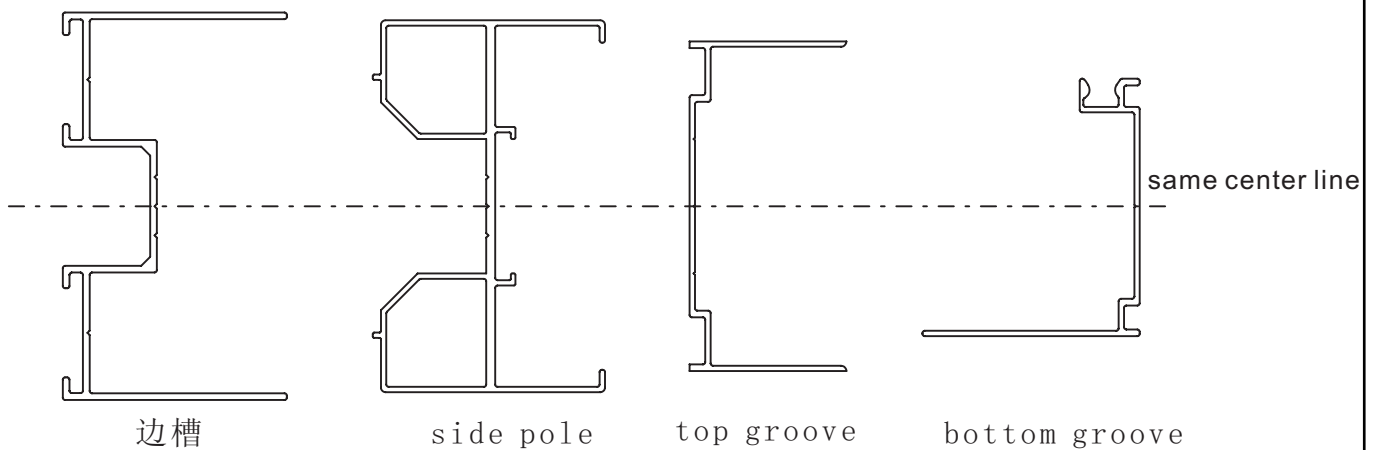
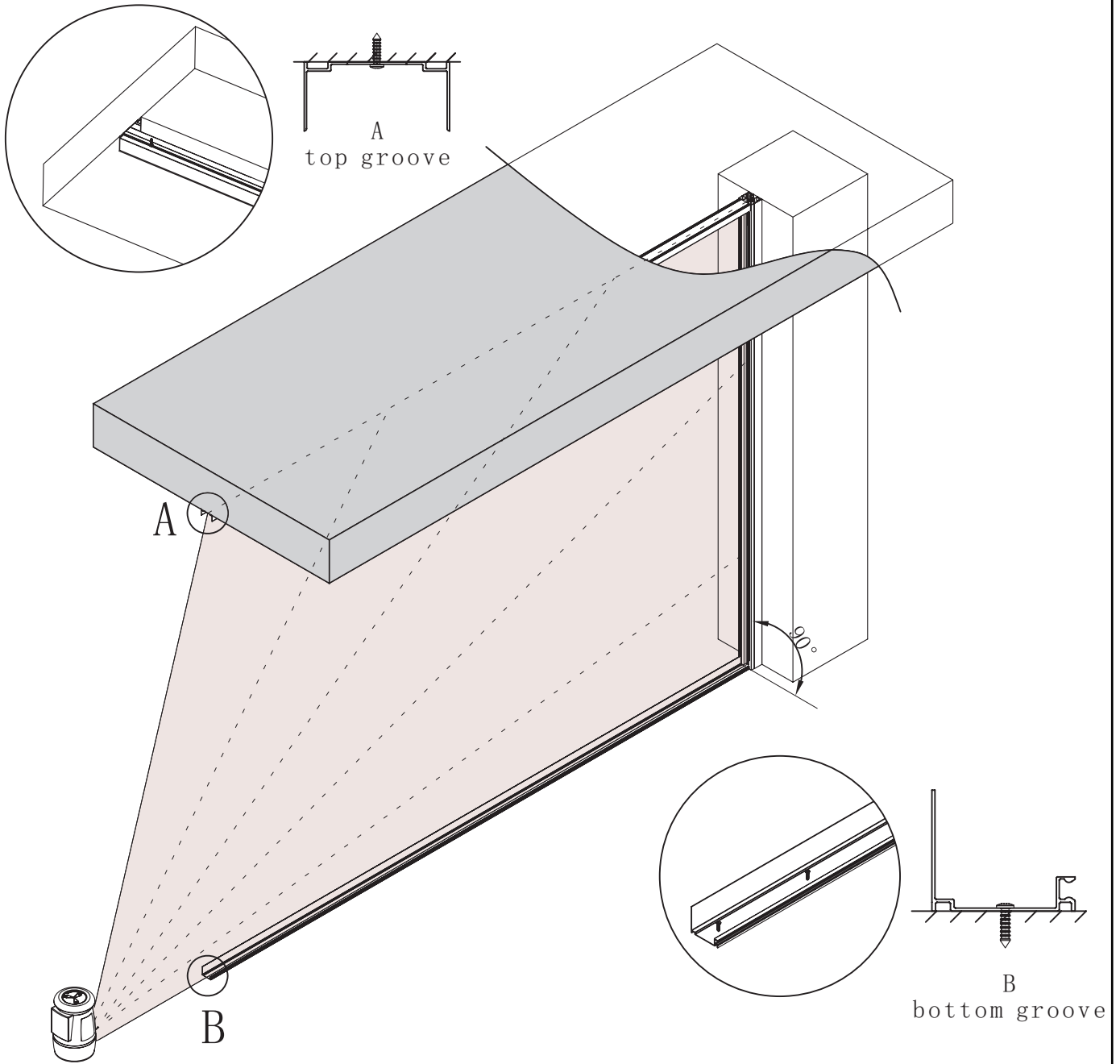
fix the side groove



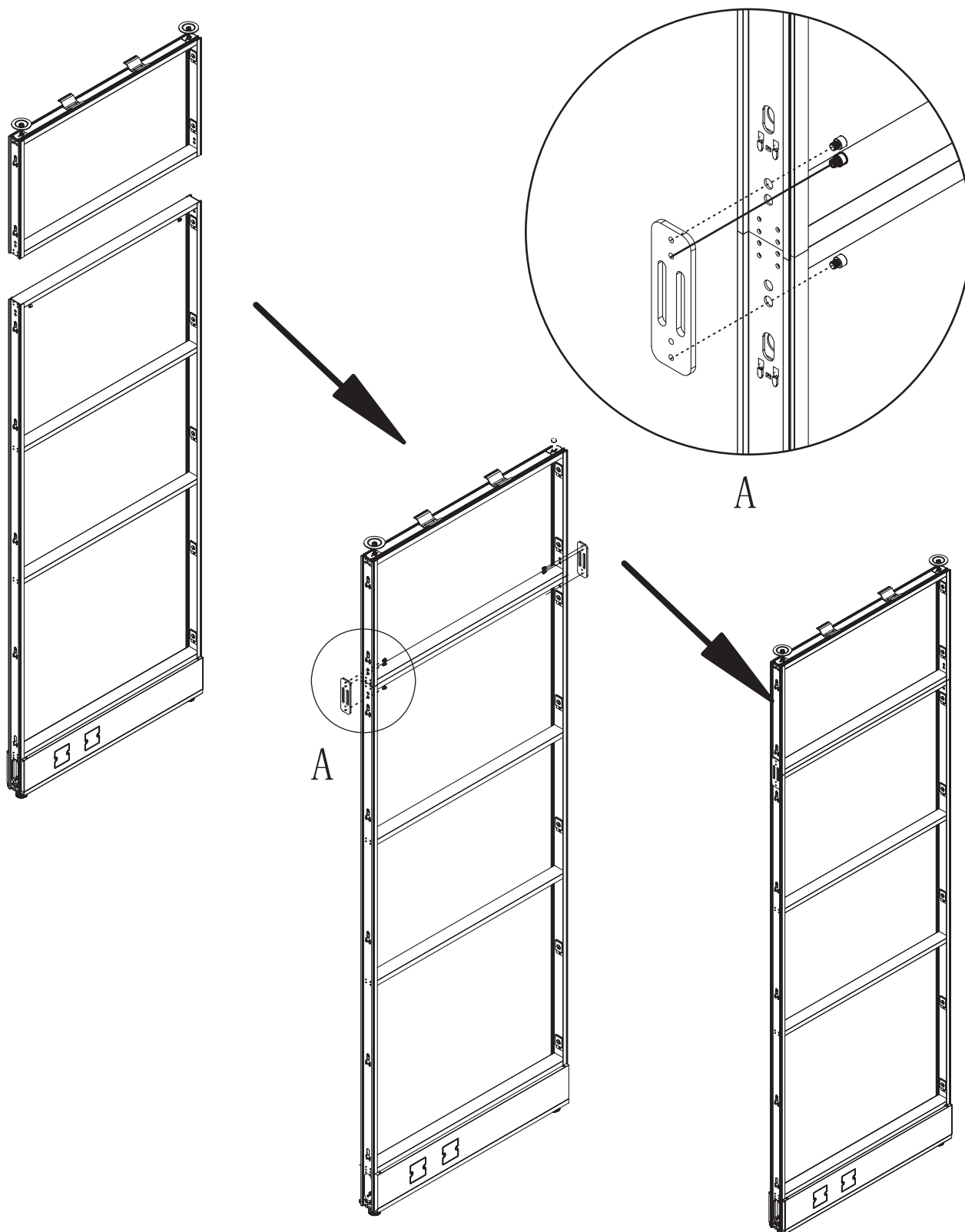
fix the side pole and adjust it vertical



fix the side pole

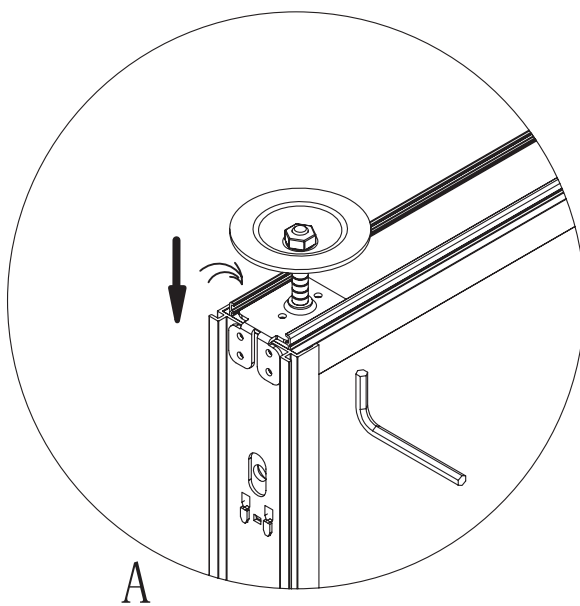
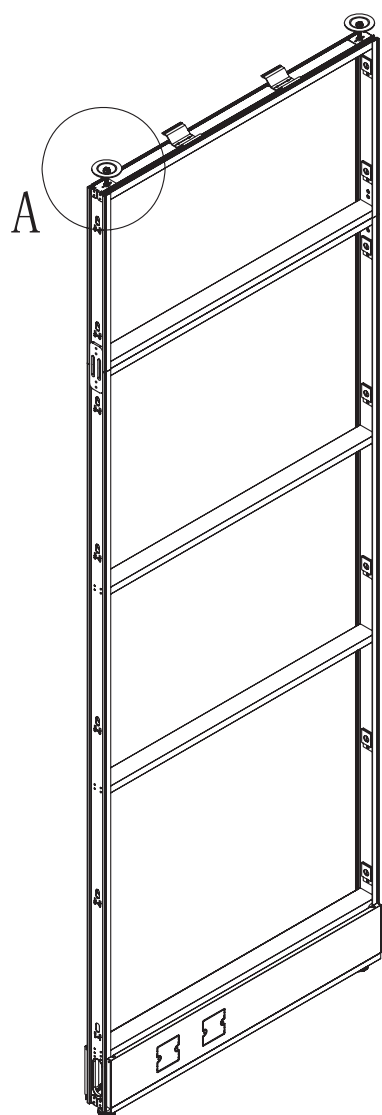


Fix the top groove and bottom groove

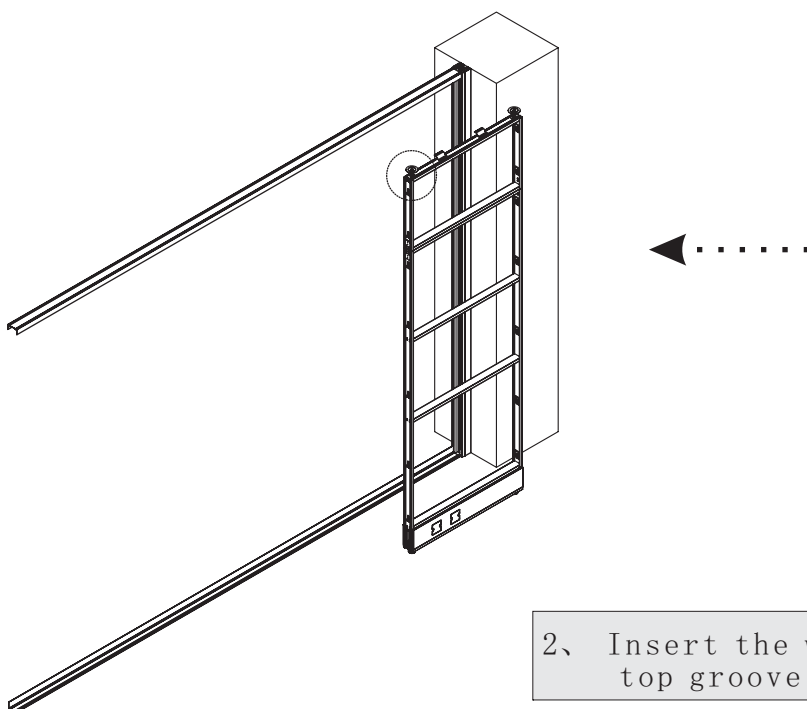
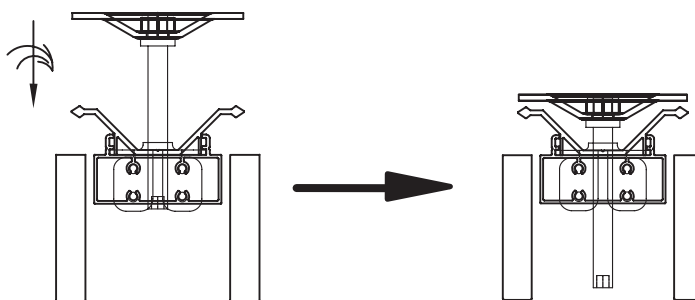


Fixed the added-on panel to the H2100mm main panel (use 4pcs M6\*6 bolt)  
(It is just one of the options to make it added-on. We use added-on system to make it easier to keep stock and transportation. You can also make it as one whole frame)





1. Adjust the ceiling adjustor to the lowest level



2. Insert the whole frame between top groove and bottom groove.

### Step3

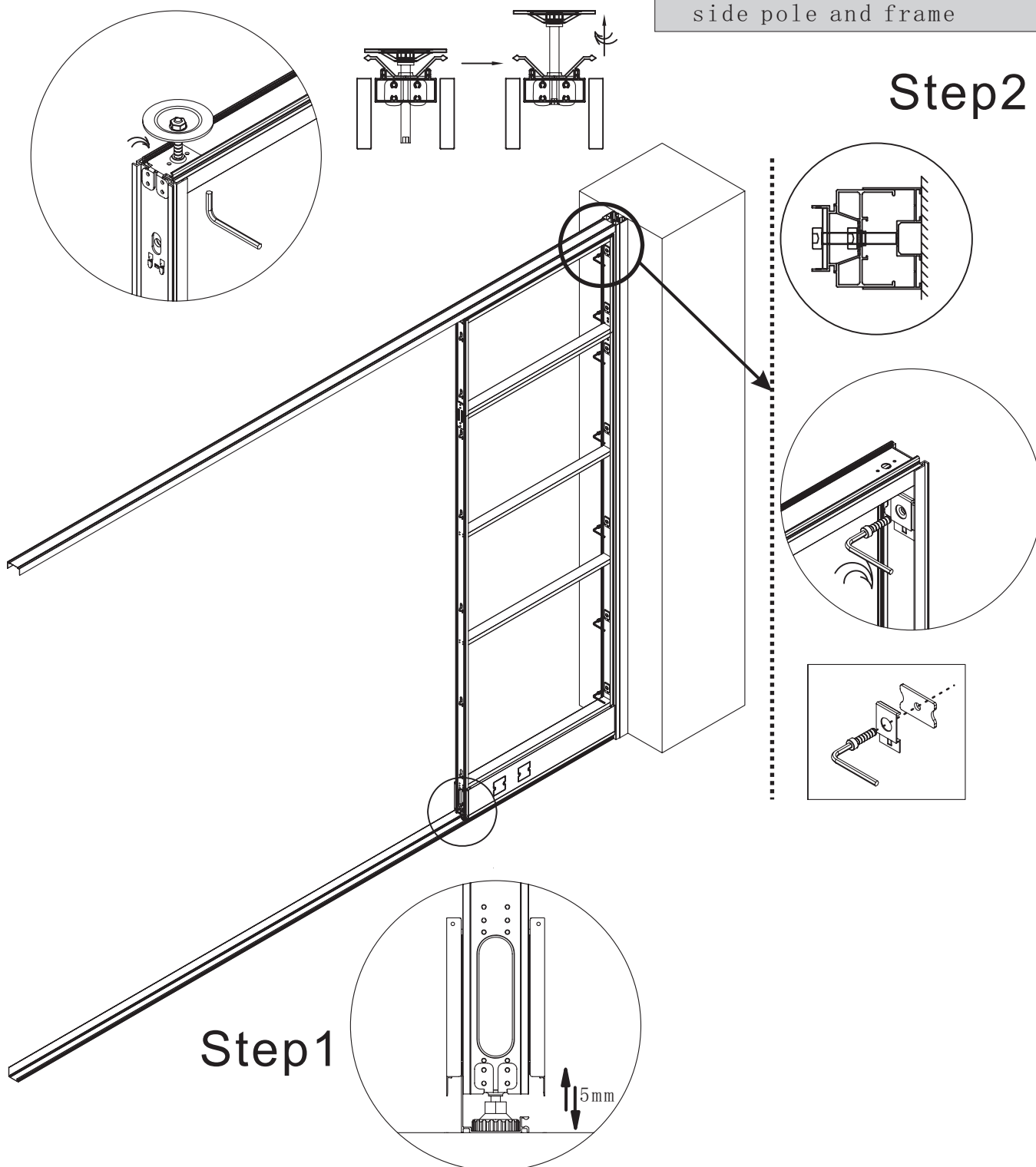
3. Fix the frame and ceiling by adjusting the ceiling adjustor

2. Use M8\*40 bolt to connect side pole and frame

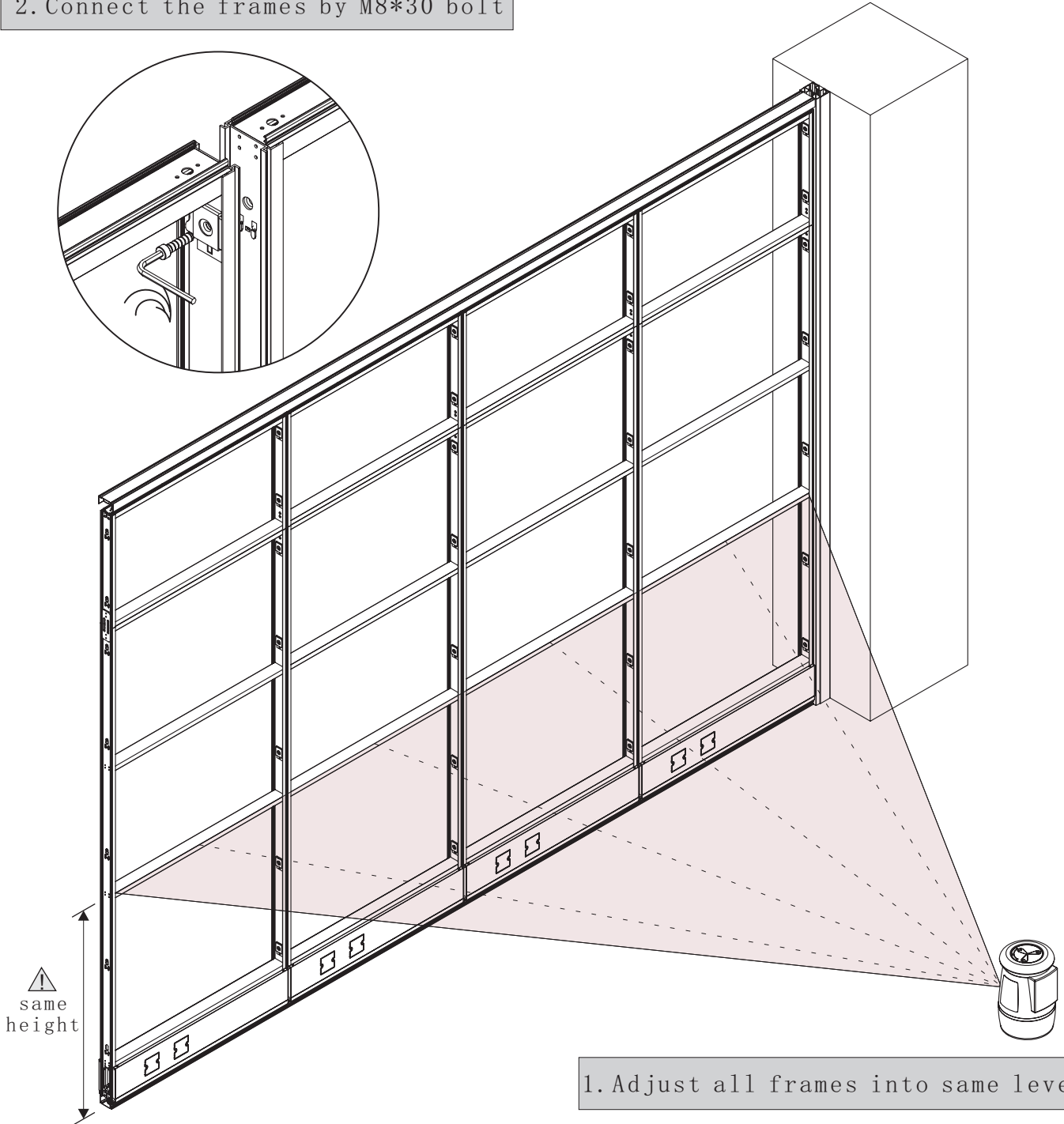
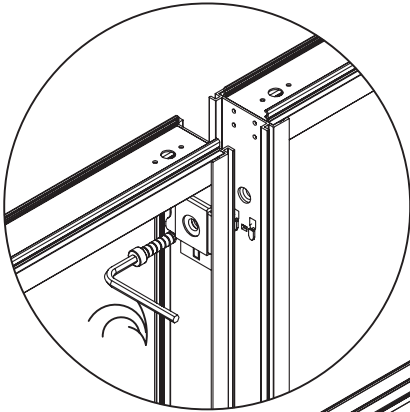
### Step2

### Step1

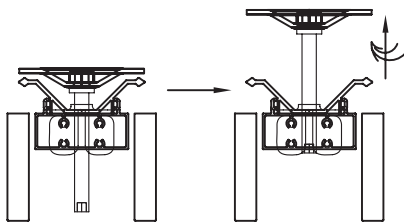
1. Adjust the adjustor 5mm up to keep space for adjustment in the futher assembling



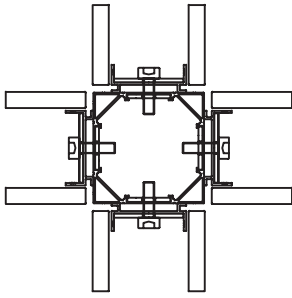
2. Connect the frames by M8\*30 bolt



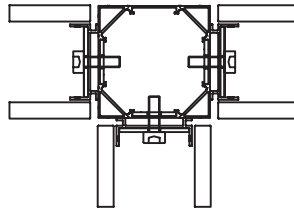
1. Adjust all frames into same level



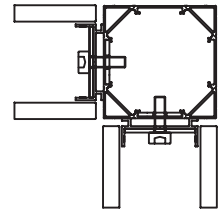
3. Connect the frames and ceiling by adjust the ceiling adjustor



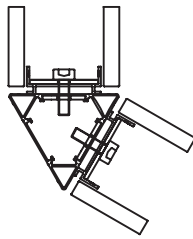
4 ways connection



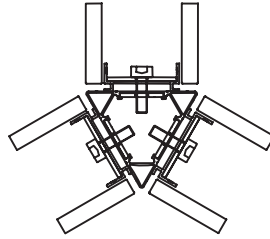
3 ways connection



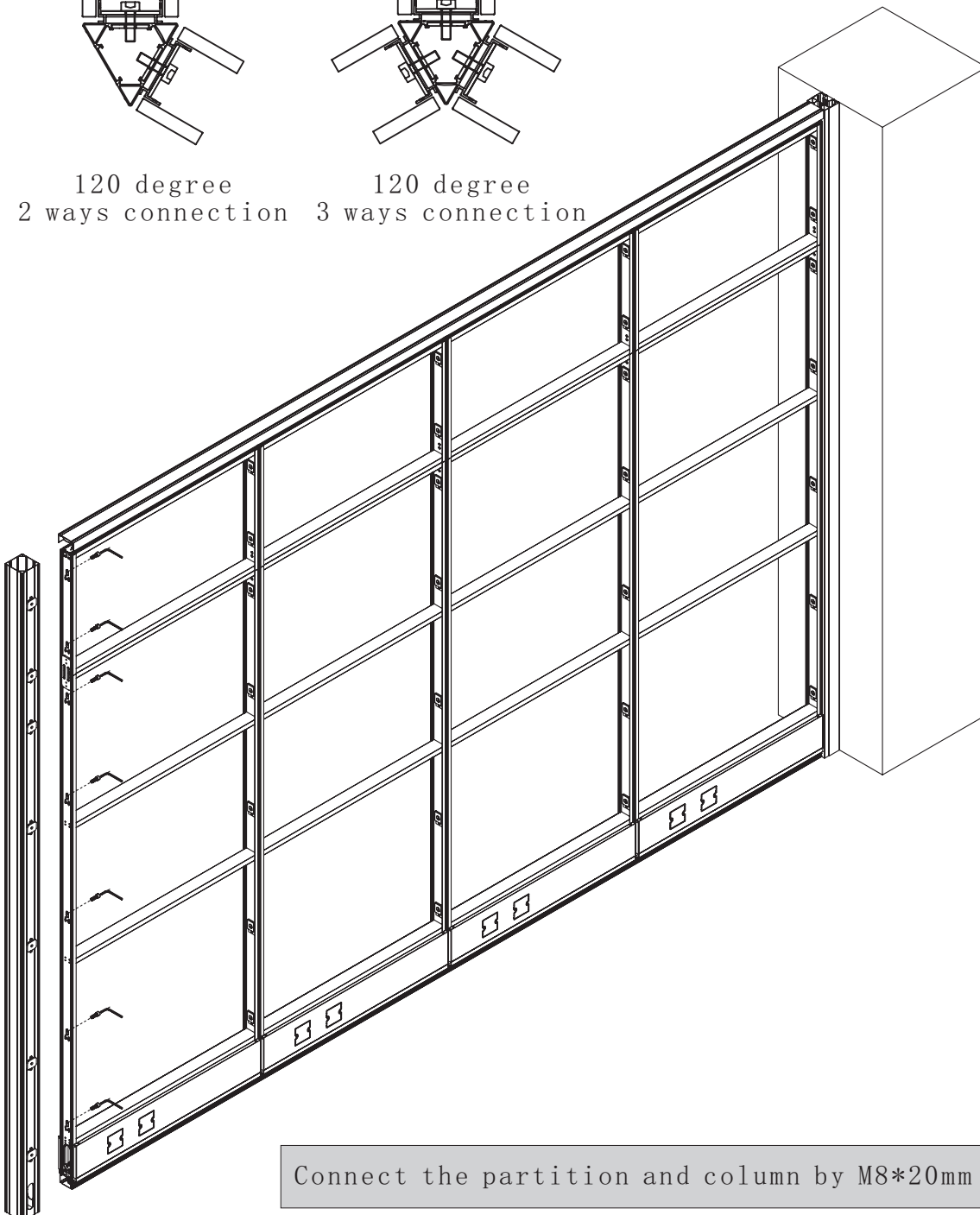
2 ways connection



120 degree  
2 ways connection

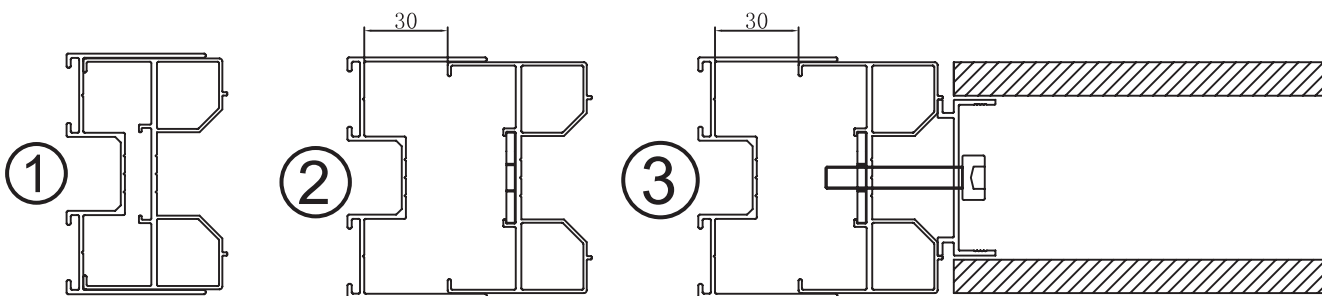
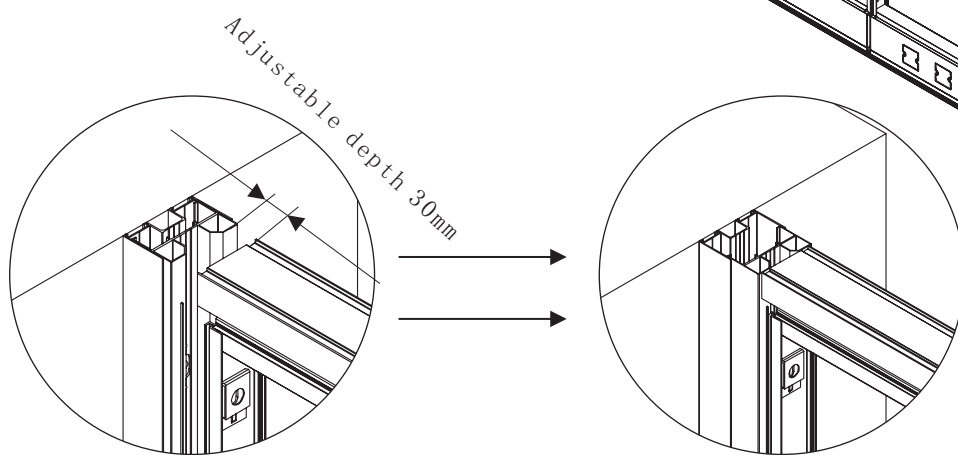
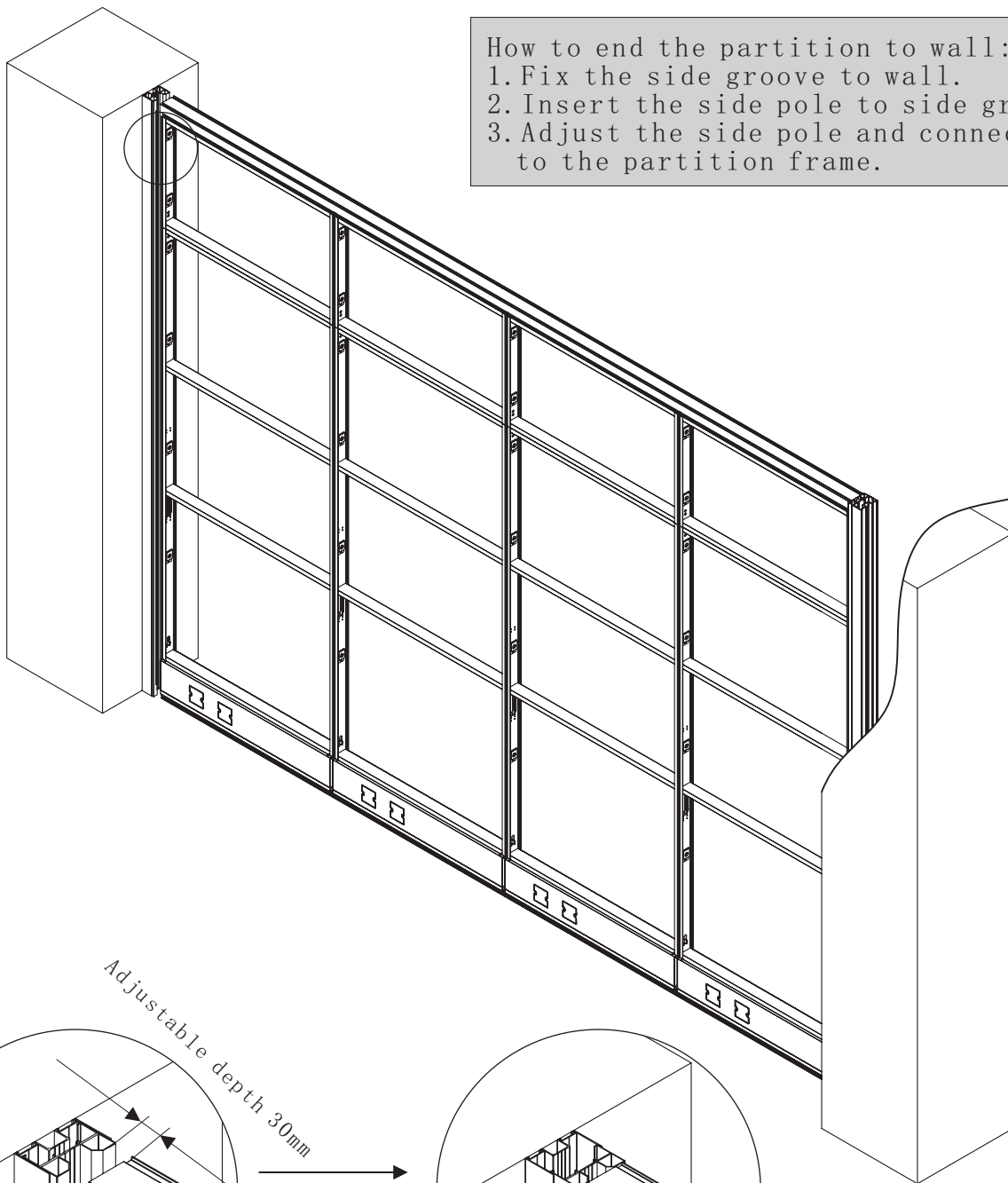


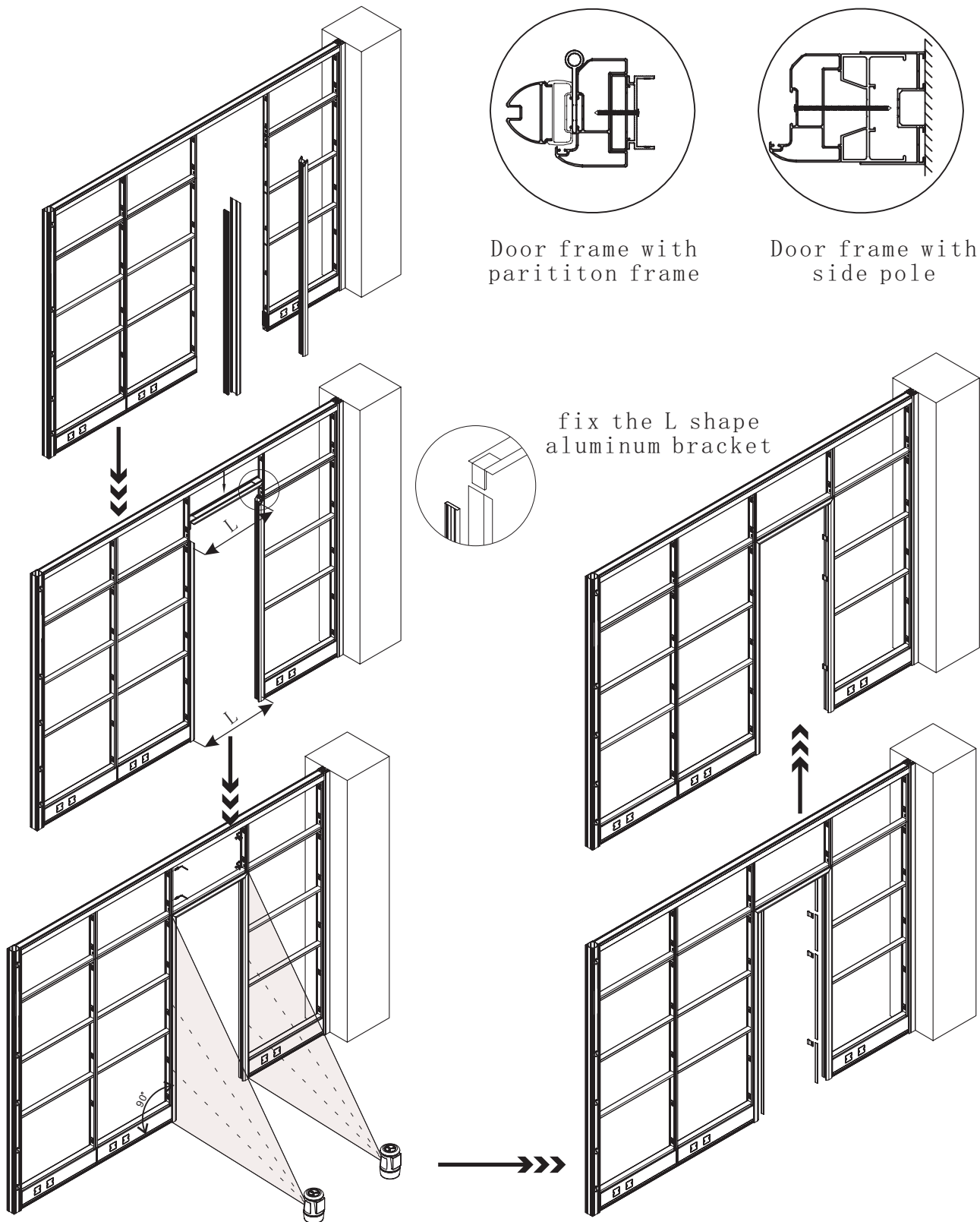
120 degree  
3 ways connection



Connect the partition and column by M8\*20mm bolt

How to end the partition to wall:  
1. Fix the side groove to wall.  
2. Insert the side pole to side groove.  
3. Adjust the side pole and connect it to the partition frame.





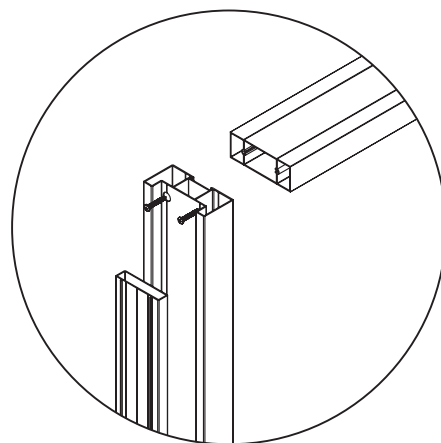
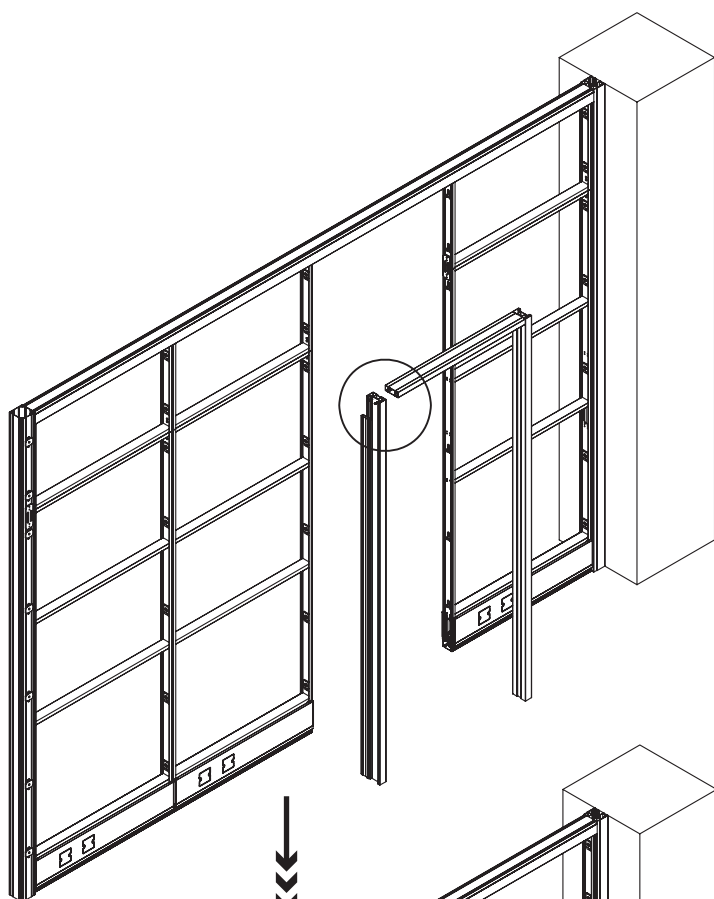
Door frame with parititon frame

Door frame with side pole

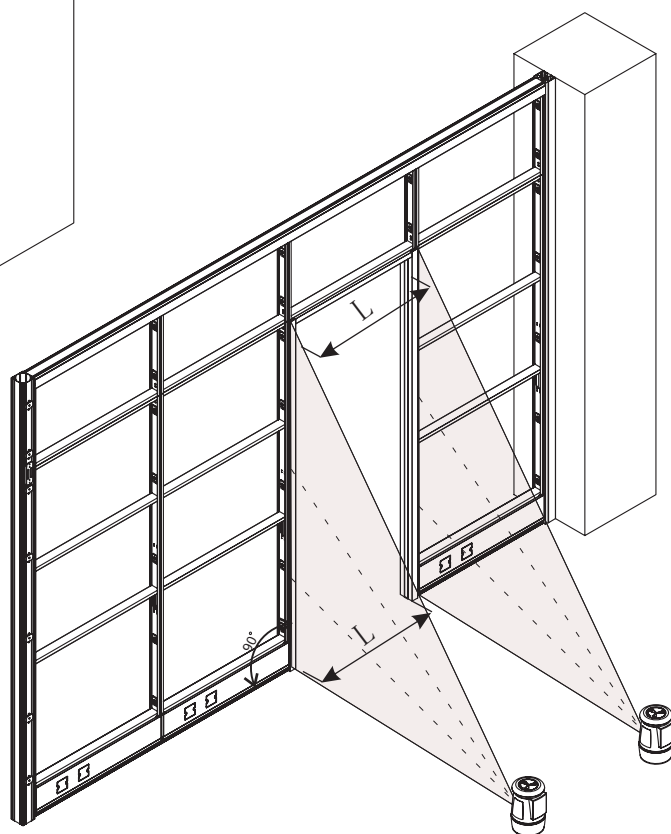
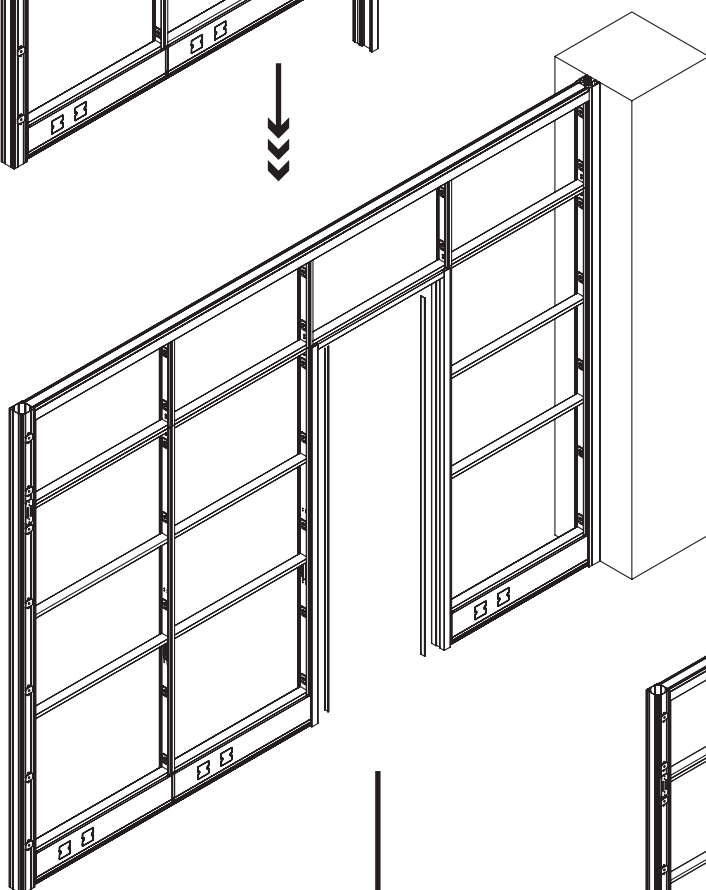
fix the L shape aluminum bracket

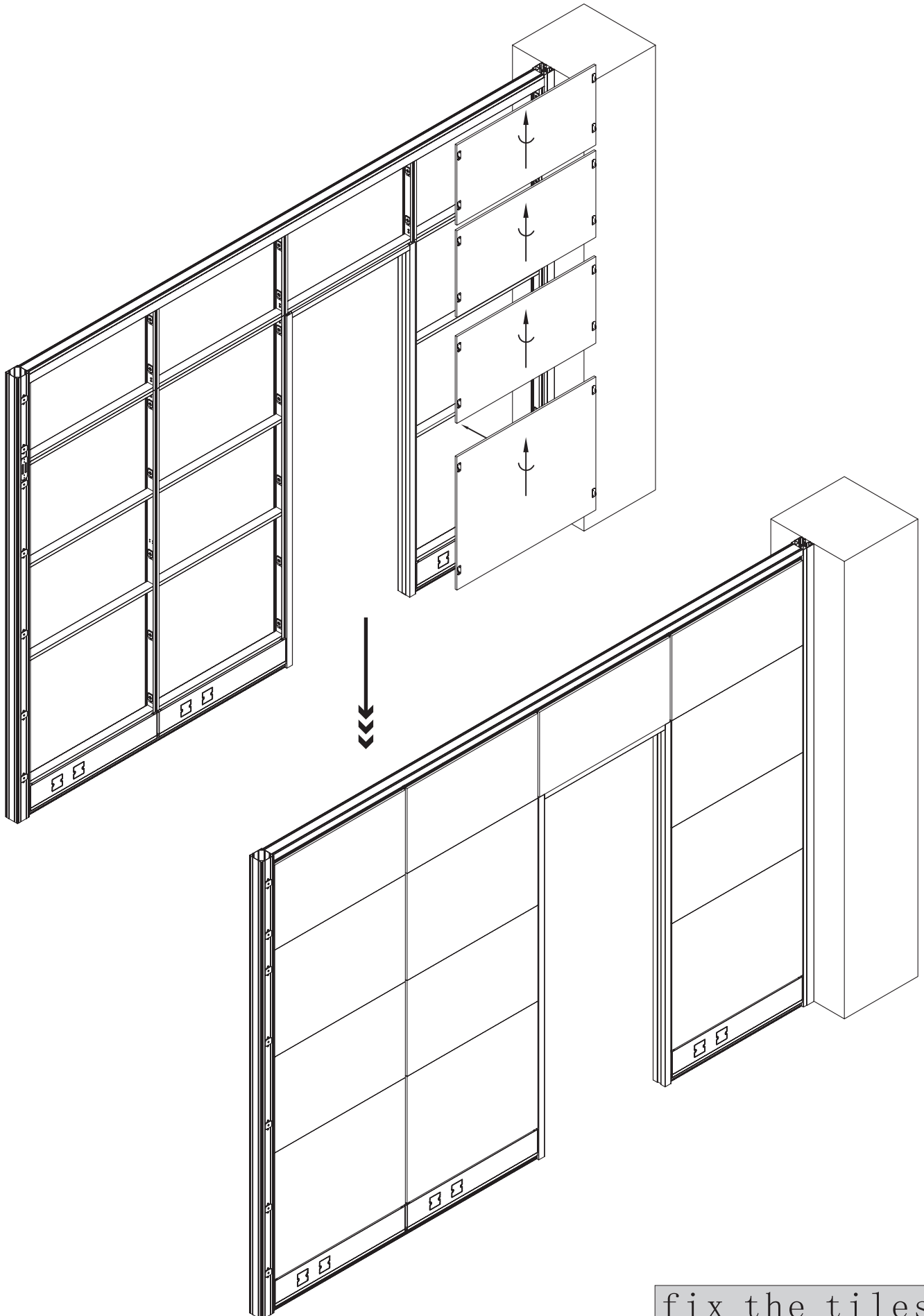
**How to fix door frame:**

1. Fix the door frame material (45° cutting) with enhanced pole.
2. Fix the left and right door frame material with partition frame by chipboard screws.
3. Fix the top door frame material with L brackets, and insert it to the left and right door frame material.
4. Fix the partition frame above door to the left and right partition frames.
5. Fix the hinges and sealings.



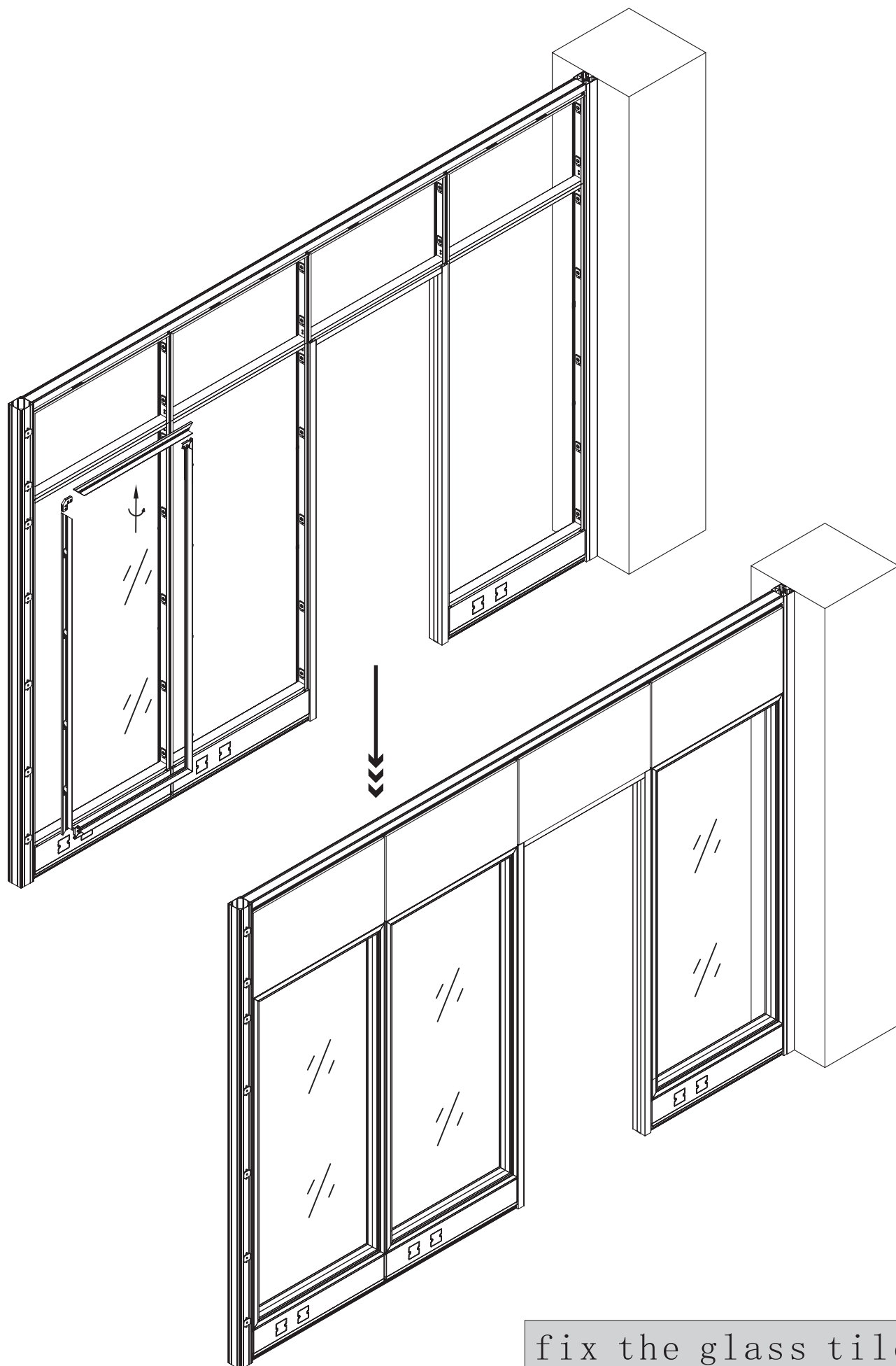
- How to fix glass door frame
1. Fix the vertical glass door frame, horizontal glass door frame, enhanced pole together.
  2. Fix the whole door frame with partition frame together.
  3. Fix the partition frame above door to the left and right partition frames.
  4. Fix the hinges and sealings.



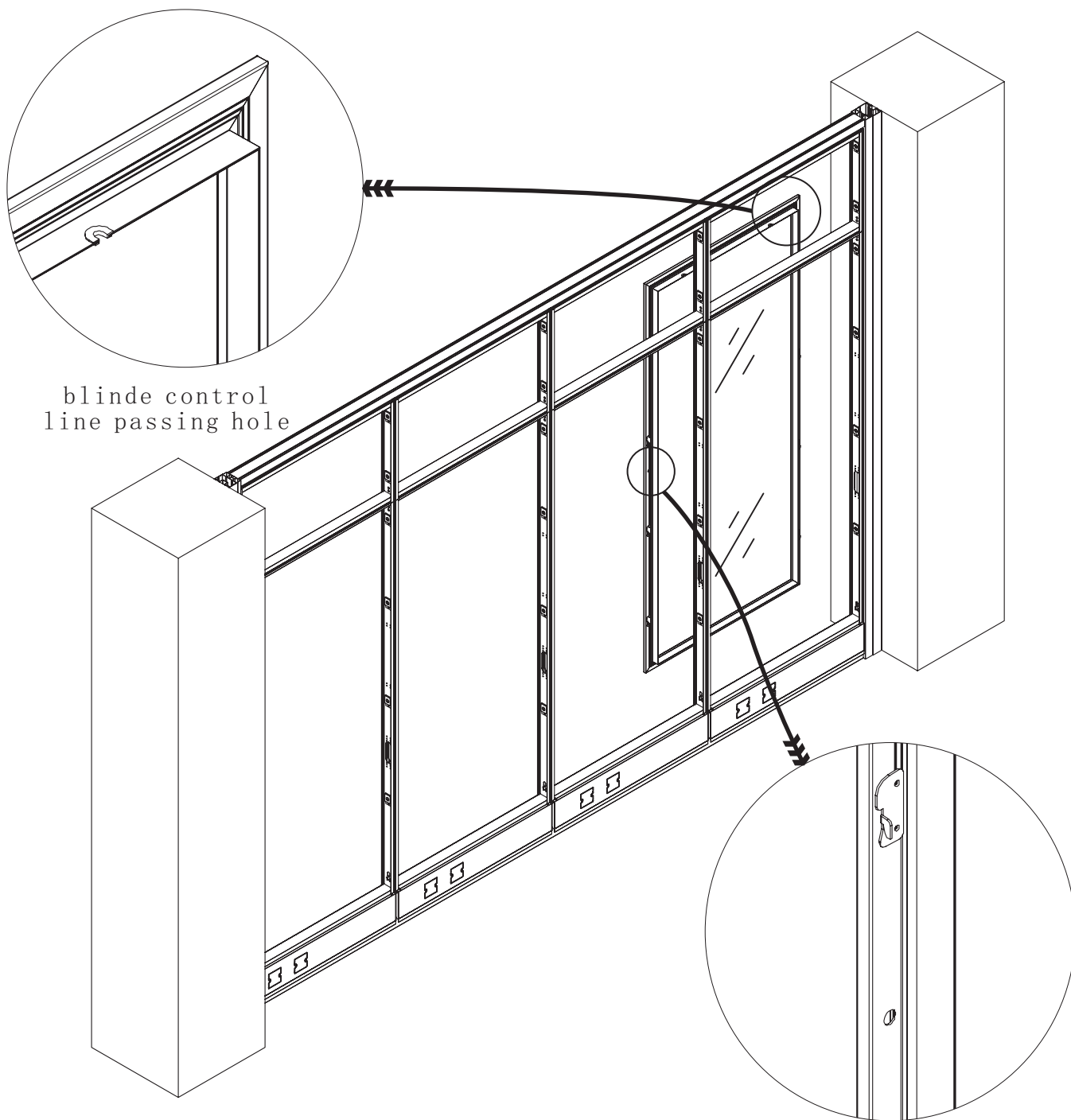


fix the tiles





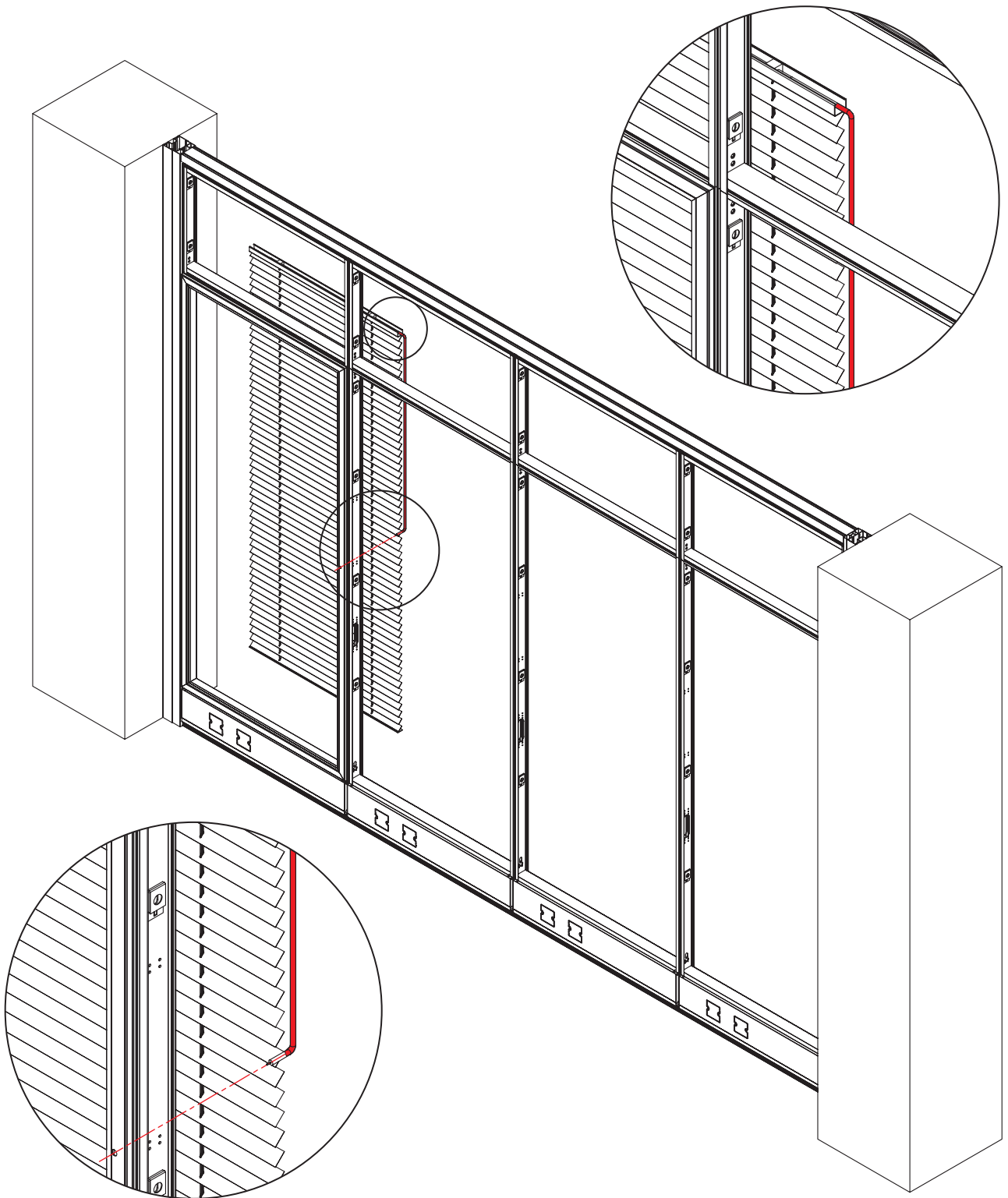
fix the glass tiles



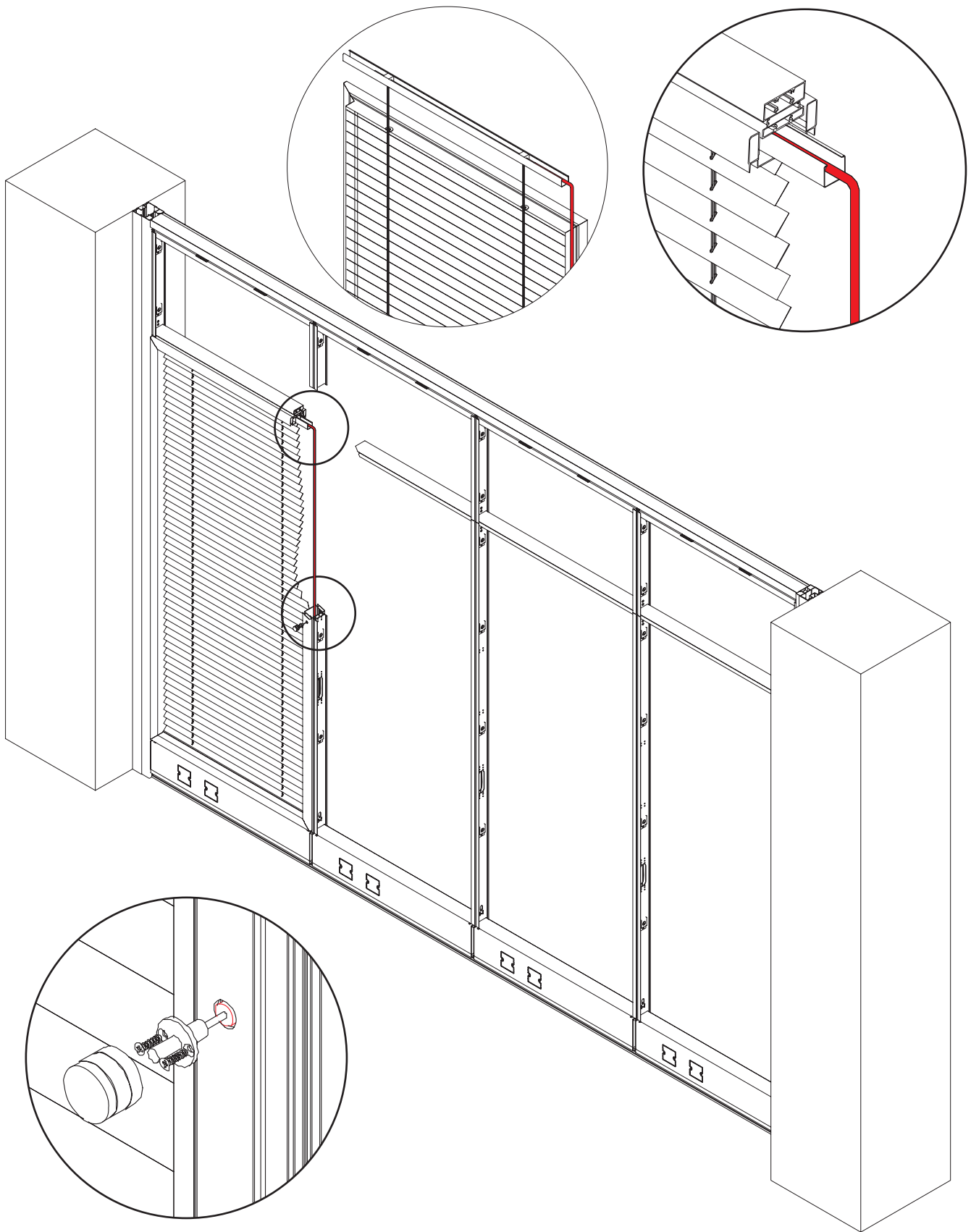
blinde control  
line passing hole

Hang the blinde to the partition  
frame and fix the control line

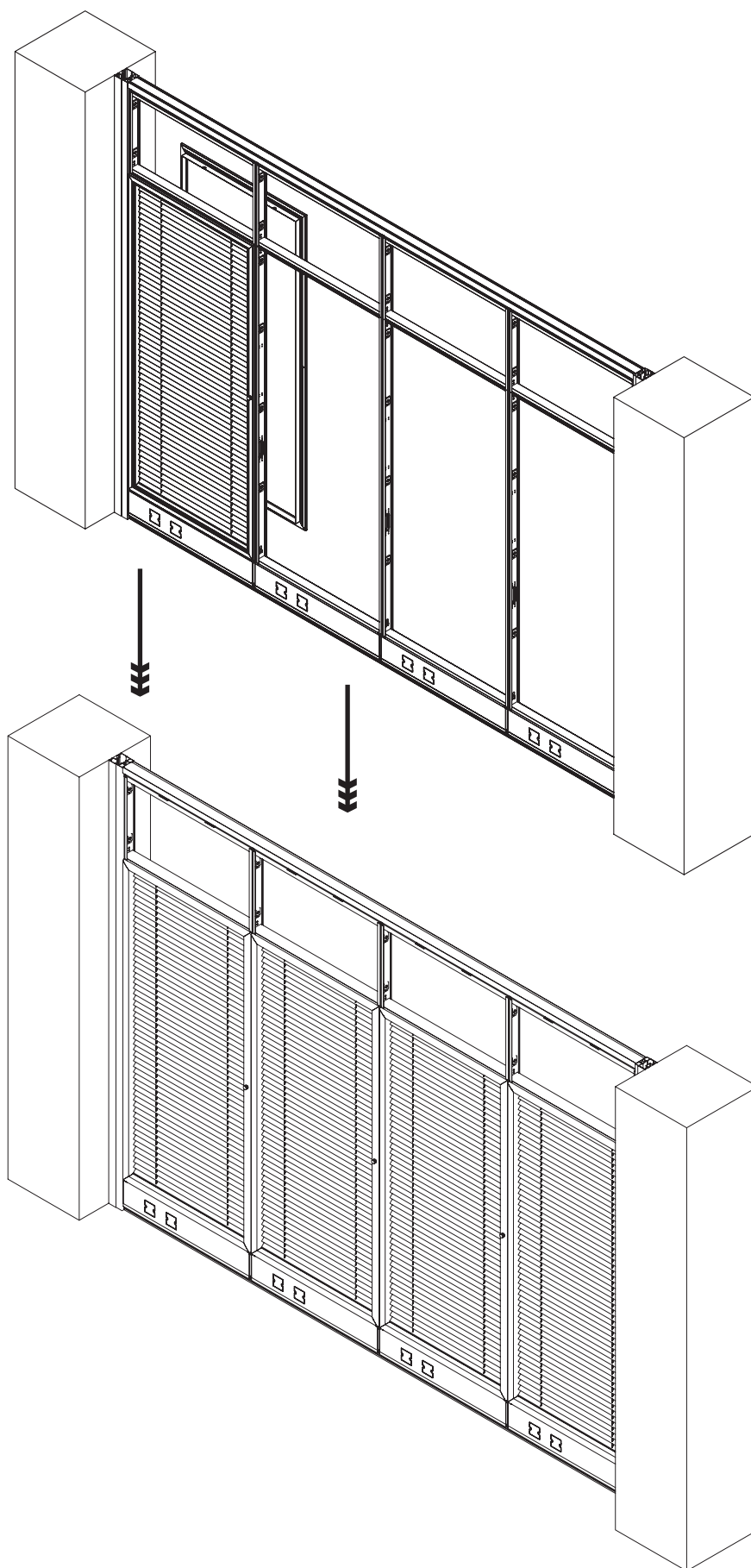
Fix the glass tile with blinde controller first



Hang the blinde to the partition frame and fix the control line



Fix the blinde controller



Fix other side glass tiles

